

# SURE FLAME

# PRODUCTS

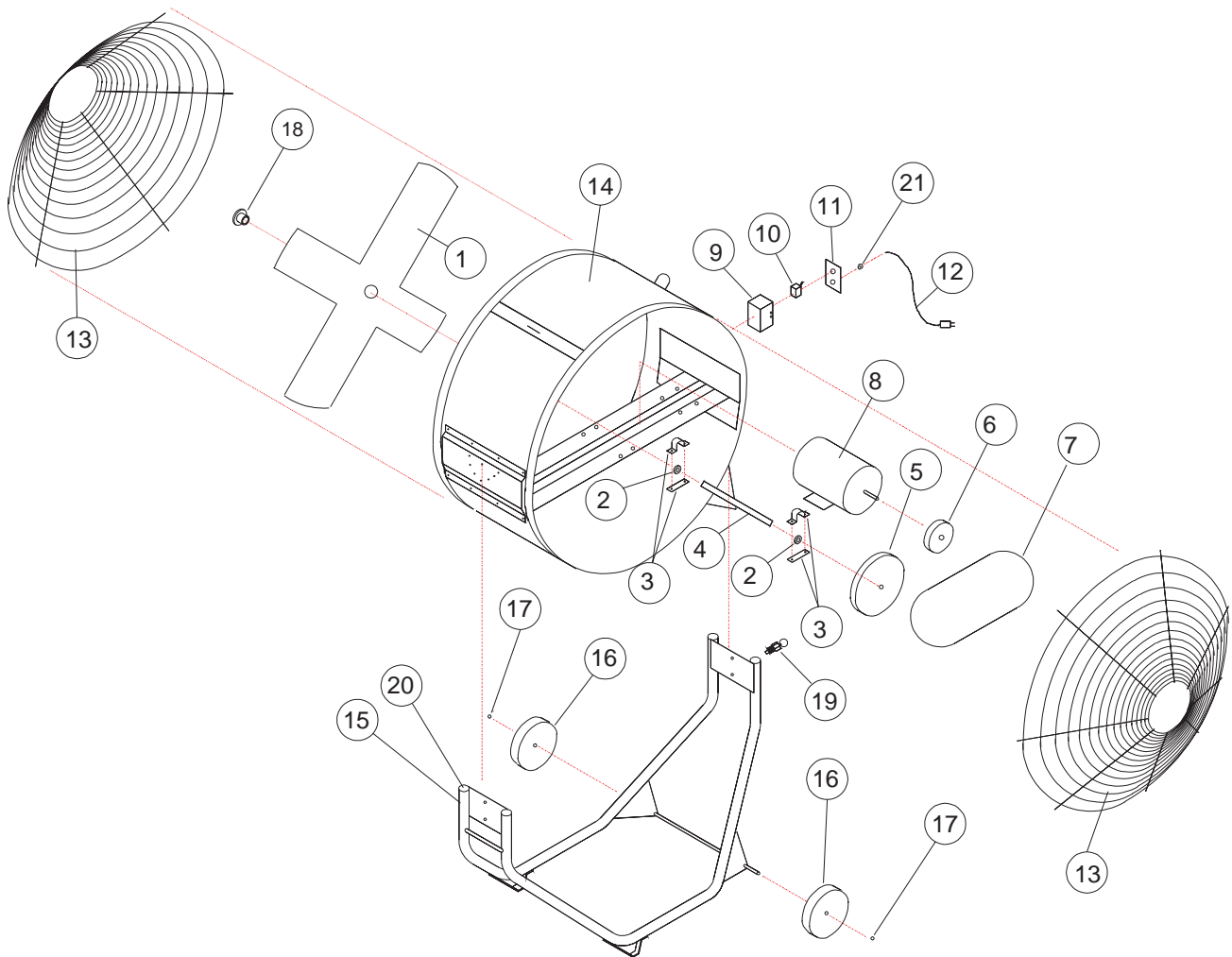
A DIVISION OF HAUL-ALL EQUIPMENT LTD.

MANUFACTURERS OF GAS FIRED EQUIPMENT

4115 - 18 Avenue North Lethbridge Alberta, Canada T1H 5G1

Ph: 403-328-7788

Fax: 403-328-9956



## MODEL FN42C AIR MOVER

EFFECTIVE MARCH 22, 2011

REF PART NO.	DESCRIPTION	REF PART NO.	DESCRIPTION		
1	5932	42" FAN BLADE	11	FN20-14	SWITCH COVER
2	6706	BEARING INSERT	12	WRS-108	72" POWER CORD
3	5961	PILLOW BLOCK	13	5990	FAN GUARD
4	FN42-1901	SHAFT	14	FN42-702	FAN HOUSING
5	5958	FAN SHEAVE	15	FN42-511	TUBULAR FRAME
6	5960	MOTOR SHEAVE	16	6119	8" SEMI PNEUMATIC WHEEL
7	5983	46" V BELT	17	6330	1/2" PUSH NUT
8	9262	1HP MOTOR	18	5959	BUSHING
9	FN20-76	SWITCH BOX	19	FN42-709	PULL PIN
10	5954	20 AMP TOGGLE SWITCH	20	9412	TUBING INSERT
			21	5508	STRAIN RELIEF